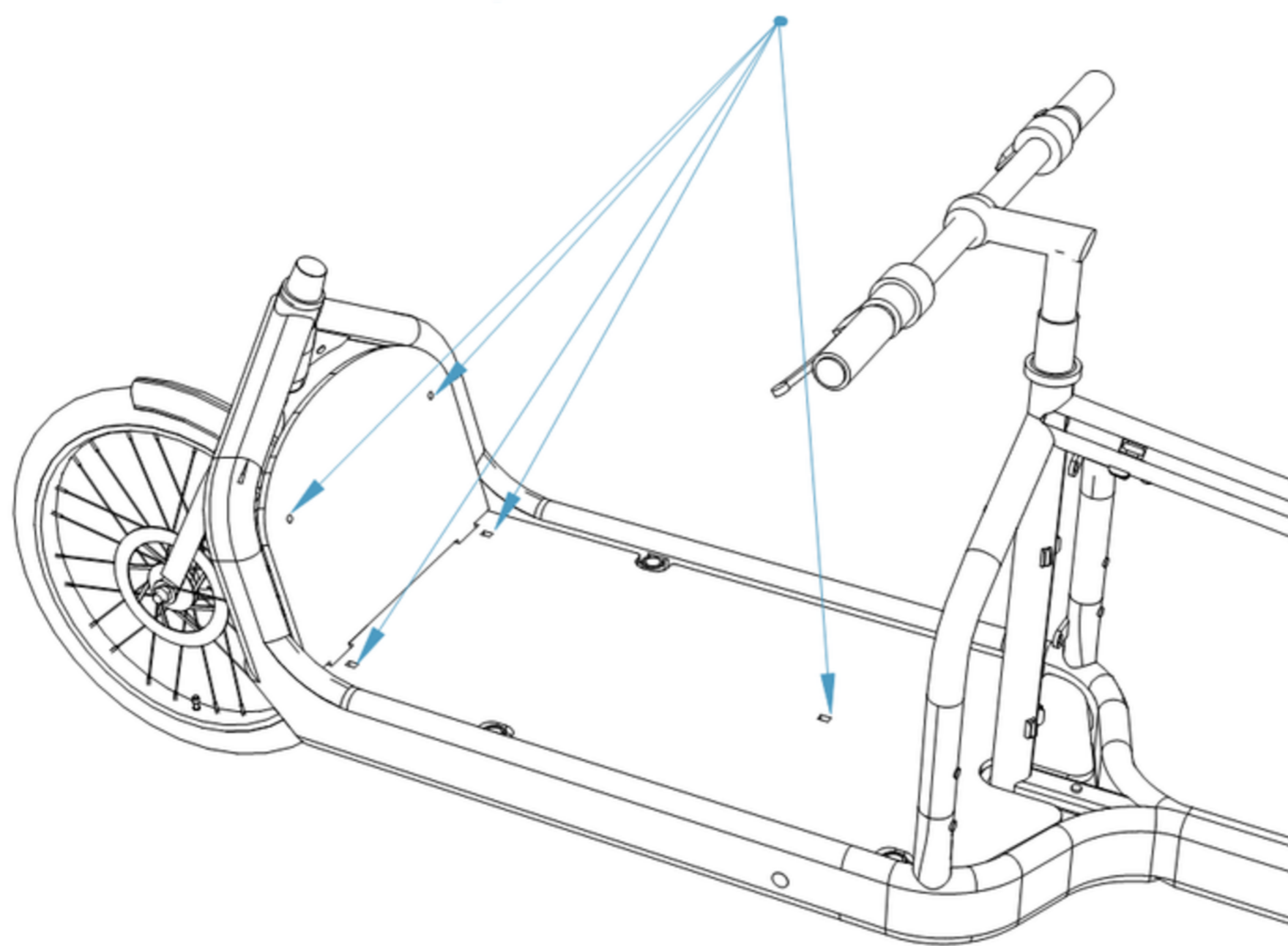


BULLITT PLY BOARD

Product description:

Two-piece Bullitt board for mounting on a Larry vs Harry Bullitt cargo bike.
Material: Birch plywood panel with phenolic film coating, thickness 9 mm.

**Attach the front panel and the base plate to the bicycle frame using the supplied mounting kit.
The maximum torque must not exceed 5 Nm.**



IMPORTANT SAFETY INSTRUCTIONS:

Maximum load capacity

- The maximum payload of the board is 80 kg.
- The load must be distributed evenly.
- Avoid point loads and impact loads.
- The permissible total load of the bicycle specified by the manufacturer must not be exceeded.

Slip hazard

- The surface features a smooth phenolic film coating.
- There is an increased risk of slipping in wet, dirty, or icy conditions.
- Always secure the load adequately.
- Persons must not stand on the board or ride on it without a suitable seat.

Handling characteristics

Loading the PLY board affects the steering, braking, and cornering behavior of the cargo bike. Adjust your speed according to the load and road conditions.

Exercise particular caution:

- when cornering
- in wet conditions
- on uneven surfaces
- when braking

Assembly and inspection

Installation must only be carried out using suitable mounting points.

Before every ride, check:

- that all bolts are securely tightened
- for damage or cracks
- that the load is securely fastened

Replace damaged or deformed parts immediately and do not use them further.

Retighten all bolted connections after the first 50 km.

Material information

The board is made of coated birch plywood with phenolic resin bonding in accordance with EN 636-3/S.

Despite its weather-resistant bonding, the following applies:

- Regularly inspect cut edges and drilled holes.
- Avoid prolonged exposure to moisture; the material must be allowed to dry properly.
- Seal damaged coatings to prevent moisture penetration.

Intended use

- Use exclusively for transporting objects.
- Do not use it as a seat or step platform.
- Not intended for commercial passenger transport.
- The board must be inspected regularly for damage.

hardus velofurn

Trefffurter Weg 25
99974 Mühlhausen / Thüringen / Germany

T +49 (0) 3601 887516

F +49 (0) 3601 887447

www.hardus.de